

Heavy-Duty (Drop-In) Ball Transfer Units

- ▶ **Omni-directional**
- ▶ **500 lb load capacity**
- ▶ **Heavy-duty one-piece housing**
- ▶ **Durable stainless steel ball**
- ▶ **1-3/16" Main ball rotates on 1/8" support balls**
- ▶ **Heat treated machined steel bearing cup**
- ▶ **Highly improved drainage**
- ▶ **Great value of price vs. performance**
- ▶ **Dimensionally compatible**
- ▶ **Personalized color and/or name option**
- ▶ **Heavy loads are moved with minimal effort**



**part no. BT/CS6030
and BT/SS6030**

Measurements (Unit: inch or pound)

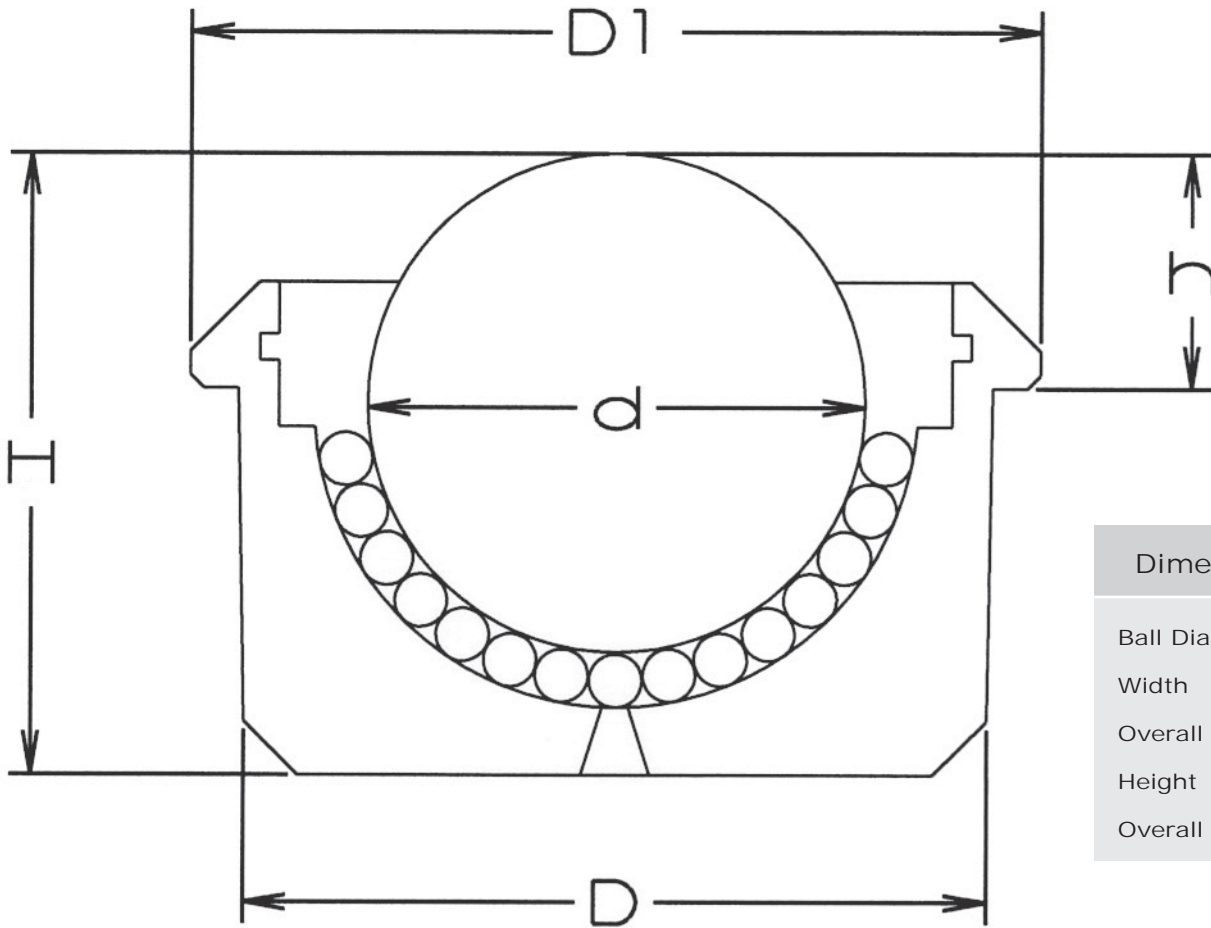
Part Number	Ball Material	Housing	Plating	Dimensions [inch]					Load Capacity [lb]	Mass [lb]
				d	D	D1	h	H		
BT/CS6030	Stainless Steel	Carbon Steel	Yes	1.1875	1.774	2.000	0.525	1.450	500	0.69
BT/SS6030	Stainless Steel	Stainless Steel	No	1.1875	1.774	2.000	0.525	1.450	500	0.69

Measurements (Unit: millimeter or kilogram)

Part Number	Ball Material	Housing	Plating	Dimensions [mm]					Load Capacity [kg]	Mass [kg]
				d	D	D1	h	H		
BT/CS6030	Stainless Steel	Carbon Steel	Yes	30.14	45.06	50.80	13.34	36.83	226	0.31
BT/SS6030	Stainless Steel	Stainless Steel	No	30.14	45.06	50.80	13.34	36.83	226	0.31

Heavy-Duty (Drop-In) Ball Transfer Units

schematic drawing for part number BT/CS6030 and BT/SS6030



Dimension	Symbol
Ball Diameter	d
Width	D
Overall Width	D1
Height	h
Overall Height	H

