

B&T BEARING INC.™

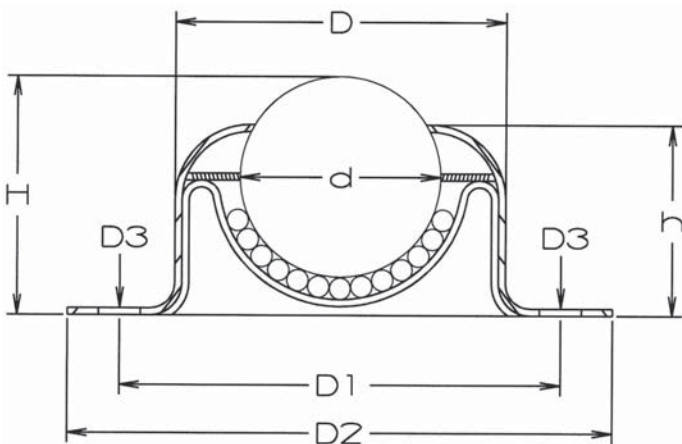
BALL TRANSFER UNITS & CARGO HANDLING EQUIPMENT

Light-Duty (Flange-Mounted) Ball Transfer Units

- ▶ Omni-directional
- ▶ 125 lb Load Capacity
- ▶ Ball Material: Carbon Steel
- ▶ Material Housing: Carbon Steel
- ▶ Two-Hole
- ▶ Flange-Mounted
- ▶ All-Steel
- ▶ 1" Main ball rotates on (80) 1/8" support balls
- ▶ Ball support cup is hardened and plated
- ▶ Protective cover assures low torque and longevity
- ▶ Units available in plated carbon steel
- ▶ Light to medium loads are moved with minimal effort



part no. BT/FM125



Specifications	Dimensions
Ball Diameter (d)	1.00
Width (D)	1.65
Width to Hole (D1)	2.20
Overall Width (D2)	2.72
Width of Hole (D3)	0.21
Height (h)	0.95
Overall Height (H)	1.19
Load Capacity	125

Light-Duty (Flange-Mounted) Ball Transfer Units

schematic drawing for part number BT/FM125

