

B&T BEARING INC.™

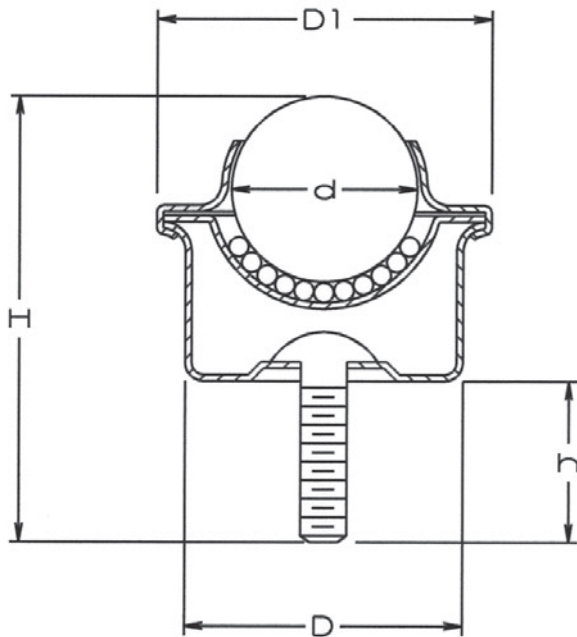
BALL TRANSFER UNITS & CARGO HANDLING EQUIPMENT

Light-Duty (Stud-Mounted) Ball Transfer Units

- ▶ Omni-directional
- ▶ 50 lb Load Capacity
- ▶ Ball Material: Carbon Steel
- ▶ Material Housing: Carbon Steel
- ▶ Stud-Mounted
- ▶ All-Steel
- ▶ 1" Main ball rotates on (80) 1/8" support balls
- ▶ Ball support cup is hardened and plated
- ▶ Protective cover assures low torque and longevity
- ▶ Units available in plated carbon steel
- ▶ Light to medium loads are moved with minimal effort



part no. BT/SMTI 50



Specifications	Dimensions
Ball Diameter (d)	1.00
Width (D)	1.50
Overall Width (D1)	1.81
Base Height (h)	0.87
Overall Height (H)	2.41
Stud	1/4 - 20
Load Capacity	50

Light-Duty (Stud-Mounted) Ball Transfer Units

schematic drawing for part number BT/SMT150

