

B&T BEARING INC.™

BALL TRANSFER UNITS & CARGO HANDLING EQUIPMENT

www.btbearing.com

Heavy-Duty (Drop In) Ball Transfer Units

Features:

Omni-directional

Heavy duty one piece housing

Durable Stainless Steel Ball

1-3/16" Main ball rotates on 1/8" support balls

Heat Treated fully machined steel housing

Offers years of use under normal operating conditions

Dimensionally compatible with competitors

Heavy loads are moved with minimal effort

Tested for superior performance

Corrosion resistant

Zinc Plated Carbon Steel Housing

500 lb load capacity

Great value of price vs. performance

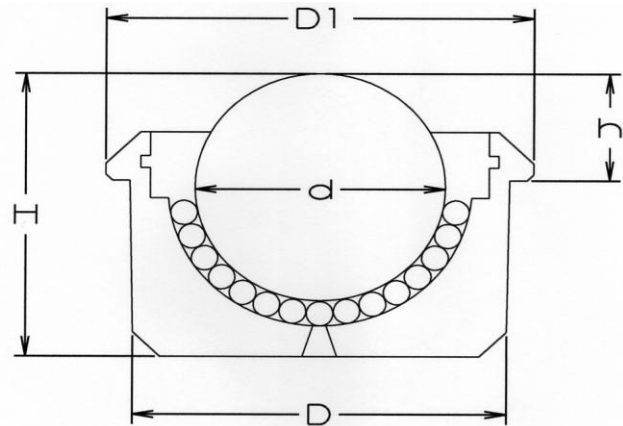
Easy drop-in replacement design

Dimensions (Unit: inch or pound)

Part Number	Ball Material	Housing Material	Plating	d	D	D1	h	H	Load Capacity (lbs)	Mass (lbs)
BT/CS6030	Stainless Steel	Carbon Steel	Yes	1.188	1.774	2.000	0.525	1.450	500	0.69
BT/SS6030	Stainless Steel	Stainless Steel	No	1.188	1.774	2.000	0.525	1.450	500	0.69

Dimensions (Unit: millimeter or kilogram)

Part Number	Ball Material	Housing Material	Plating	d	D	D1	h	H	Load Capacity (kg)	Mass (kg)
BT/CS6030	Stainless Steel	Carbon Steel	Yes	30.14	45.06	50.80	13.34	36.83	226	0.31
BT/SS6030	Stainless Steel	Stainless Steel	No	30.14	45.06	50.80	13.34	36.83	226	0.31



Made in the USA